

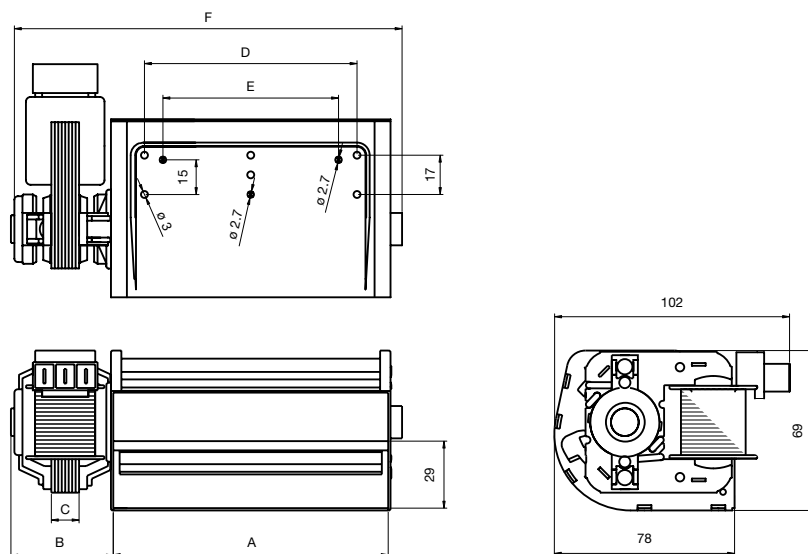
## "TNG45" SERIES

Description: Cross Flow Fans 230 Va.c.

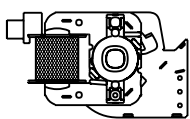


<b>Type of material:</b>	scroll made by zinc plated steel and wheel made by aluminium
<b>Rated temperature:</b>	from 0°C to +60°C
<b>Electrical connection:</b>	2 male flat terminals 6.3 x 0.8 mm
<b>Earth connection:</b>	male flat terminal 6.3 x 0.8 mm
<b>Appliance class:</b>	class F
<b>Bearing:</b>	sleeve
<b>Approvals:</b>	CE

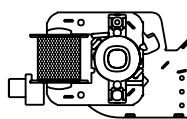
### technical drawing



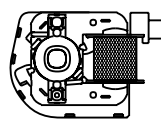
### motor position



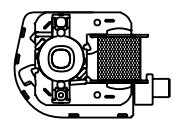
5



6



7



8

All specifications, data and drawing are subject to change without notice and are approximate. Please refer to our terms of sales including our warranty and limited liabilities clauses.

## “TNG45” SERIES

Description: Cross Flow Fans 230 Va.c.

Model	Speed	Dimensions						Air Flow and RPM Free to Air		Max Static Pressure [Pa] **	Input Power [W]
		A [mm]	B [mm]	C [mm]	D [mm]	E [mm]	F [mm]	[RPM]	[m <sup>3</sup> /h] **		
TNG23ES45x90FL*-00	E	90	44	12	62	46	141	2510	50	17	25
TNG23ES45x120FL*-00	E	120	42	12	92	72	169	2310	75	24	25
TNG23ES45x180FL*-00	E	180	42	12	152	136	229	2030	85	26	25
TNG23LS45x180FL*-00	L	180	48	16	152	136	235	2380	105	34	30
TNG23LS45x240FL*-00	L	240	48	16	212	196	295	2340	145	33	30
TNG23LS45x270FL*-00	L	270	48	16	242	226	325	2000	150	30	30
TNG23MS45x270FL*-00	M	270	52	20	242	226	329	2270	165	33	33
TNG23MS45x300FL*-00	M	300	52	20	272	256	359	2180	185	33	33
TNG23HS45x300FL*-00	H	300	62	30	272	256	369	2370	195	34	35
TNG23MS45x360FL*-00	M	360	52	20	332	316	419	1850	205	33	33
TNG23HS45x360FL*-00	H	360	62	30	332	316	429	2100	220	34	35

\* motor position may be 5, 6, 7 or 8

\*\* data are indicative

All specifications, data and drawing are subject to change without notice and are approximate. Please refer to our terms of sales including our warranty and limited liabilities clauses.