

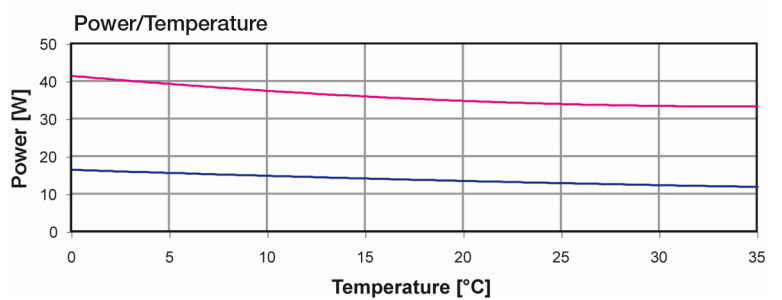
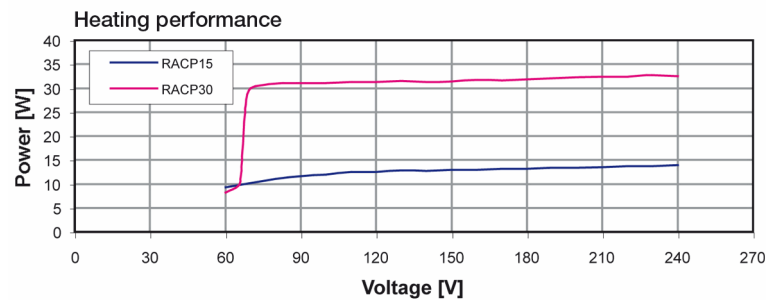
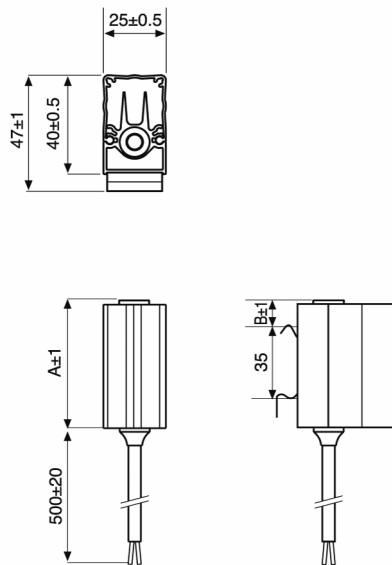
**"RACP" HEATERS WITH CABLE**

Description: **15/30 W**



**Heating element:** PTC thermistor, self regulating  
**Heat sink:** black anodised extruded aluminium profile  
**Method of mounting:** snap-on fixing on RAIL 35mm DIN 46 277/3 EN 50 022  
**Rated temperature range:** from -30°C to +40°C  
**Storage temp. range** from -40°C to +90°C  
**Protection degree by heaters:** IP50  
**Electrical connection:** by 3 poles cable L-N-PE  
**External cable:** 2x20AWG cable with silicone rubber sheath 500 mm length  
**Appliance class:** class II  
**Over voltage categories:** III as IEC 60664-1 standard  
**Rated voltage:** 230 V a.c./d.c.  
**Rated voltage range:** 150-240 V a.c./d.c.  
**Rated frequency:** 50/60 Hz  
**Max voltage:** 265 V a.c./d.c  
**Applicable standards:** EN 60335-1  
**Approvals:** CE

**technical drawing**



Model	Dimension		Heating Power*	Absorbed Current*	External Surface**	Internal Heat Sink**	Weight
	A [mm]	B [mm]					
RACP-15	72	20	15	65	70	80	0.10
RACP-30	102	35	30	130	110	125	0.12

\*The values of heating power, absorbed current, were obtained at 230 Va.c. 50Hz and at ambient temperature condition of 15±5°C after a working of 10 minutes. These values have an uncertainty of 10%. \*\* Temperatures have been obtained after a working of 10 minutes at ambient temperature condition of 23.5°C.