

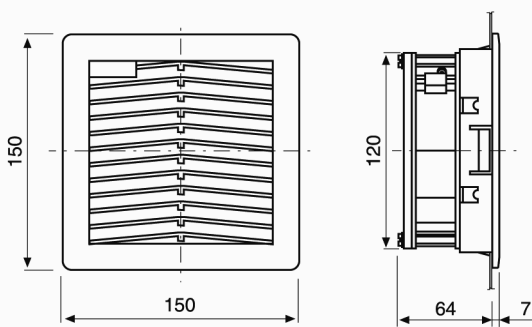
**"FPF12K" SERIES FAN FILTERS**

Description: **Fan Filter 24/115/230 Va.c.**

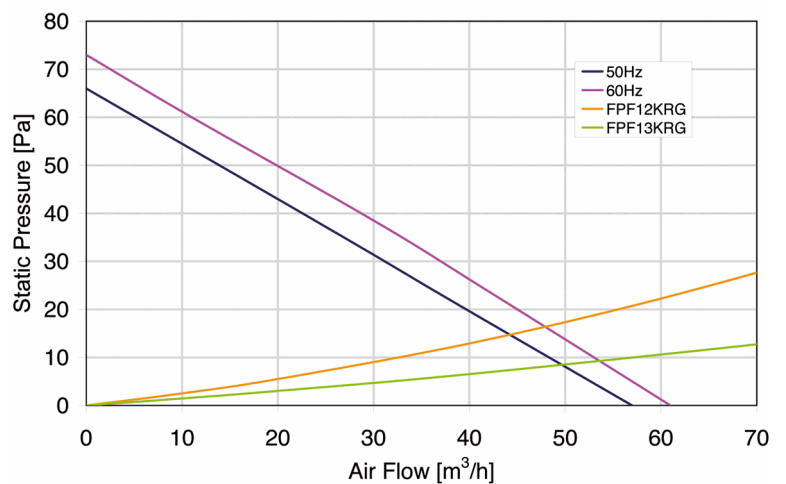
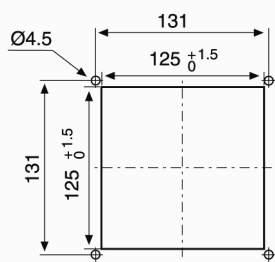


<b>Type of material:</b>	ABS/PC alloy
<b>Standard colour:</b>	RAL 7032 and RAL 7035 - other colors on request
<b>Protection degree:</b>	IP54, according to EN 60529 Std; Type 12, according to UL 508 Std
<b>Fixing system:</b>	by elastic hooks, otherwise by four 4.8 mm self-threading screws
<b>Plate thickness:</b>	from 1.5 mm to 2.2 mm
<b>Storage temperature:</b>	from -45°C to +75°C
<b>Lifetime L10 at 40°C:</b>	45,000 h
<b>Motor protection:</b>	impedance
<b>Electrical connection:</b>	by terminal block 2 poles L-N
<b>Earth connection:</b>	(by M4 thread hole on fan's casing)
<b>Appliance class:</b>	class III for 24V, class I for other voltage
<b>Type of filter media:</b>	thermo-linked progressive structure synthetic fibre
<b>Filtering class:</b>	class G3, according to EN 779
<b>Degree of separation:</b>	85% - DIN 24185
<b>Dust retention capacity:</b>	600 g/m <sup>2</sup>
<b>Note:</b>	filter media is washable for about 10 times
<b>Weight:</b>	0.8Kg
<b>Approvals:</b>	CE, UL E223195/UL E237844

**technical drawing**



**mounting cut-out**



All specifications, data and drawing are subject to change without notice and are approximate. Please refer to our terms of sales including our warranty and limited liabilities clauses.

Model	Voltage	Frequency	Rated Current	Rated Power	Max Air Flow**	Static Pressure	Noise	Rated Temp. Range	Approvals
	(V)	(Hz)	(A)	(W)	(m3/h)	(Pa)	[db(A)]	(°C)	
FPF12KR115BE-110	115 V a.c.	50/60	0.210/0.180	20/18	57/61	66/73	43.0/48.0	-10 ÷ +50	CE; UR
FPF12KR115BER-110	115 V a.c.	50/60	0.210/0.180	20/18	57/61	66/73	43.0/48.0	-10 ÷ +50	CE; UR
FPF12KR230BE-110	230 V a.c.	50/60	0.125/0.110	20/19	57/61	66/73	43.0/48.0	-10 ÷ +50	CE; UR
FPF12KR230BER-110	230 V a.c.	50/60	0.125/0.110	20/19	57/61	66/73	43.0/48.0	-10 ÷ +50	CE; UR
FPF12KR24BE-110	24 V a.c.	50/60	0.810/0.850	15/16	57/61	66/73	43.0/48.0	-10 ÷ +50	CE
FPF12KR24BER-110	24 V a.c.	50/60	0.810/0.850	15/16	57/61	66/73	43.0/48.0	-10 ÷ +50	CE

data whit uncertainty of 15%