

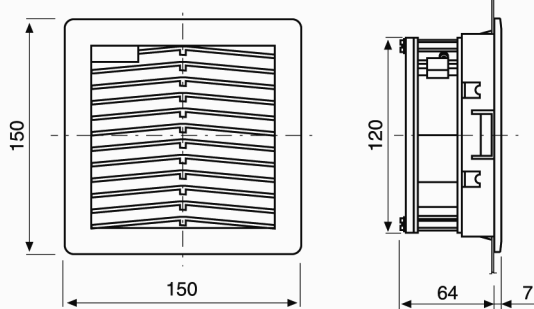
"FPF12KD" SERIES FAN FILTERS

Description: **Fan Filters 24/48 Vd.c.**

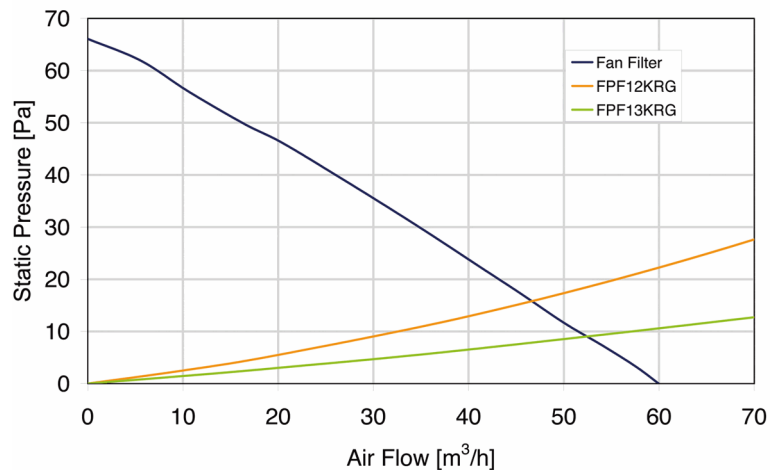
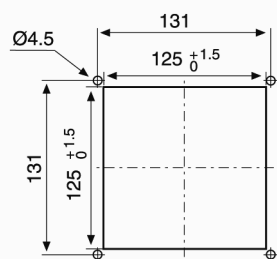


- Type of material:** ABS/PC alloy
- Standard colour:** RAL 7032 and RAL 7035 - other colors on request
- Protection degree:** IP54, according to EN 60529 Std
Type 12, according to UL 508 Std
- Fixing system:** by elastic hooks, otherwise by four 4.8 mm self-threading screws
- Plate thickness:** from 1.5 mm to 2.2 mm
- Storage temperature:** from -45°C to +75°C
- Lifetime L10 at 40°C:** 70,000 h
- Motor protection:** overcurrent, reverse polarity
- Electrical connection:** by 2 wires +,-
- Appliance class:** Class III
- Type of filter media:** thermo-linked progressive structure synthetic fibre
- Filtering class:** class G3, according to EN 779
- Degree of separation:** 85% - DIN 24185
- Dust retention capacity:** 600 g/m²
- Note:** filter media is washable for about 10 times
- Weight:** 0.5 Kg
- Approvals:** CE, UL E223195/UL E237844

technical drawing



mounting cut-out



Model	Voltage	Frequency	Rated Current	Rated Power	Max Air Flow**	Static Pressure	Noise	Rated Temp. Range	Approvals
	(V)	(Hz)	(A)	(W)	(m3/h)	(Pa)	[db(A)]	(°C)	
FPF12KRD24B-110	24 V d.c.		0.400	9.6	60	66	43.0	-10 ÷ +50	CE; cURus
FPF12KRD24BR-110	24 V d.c.		0.400	9.6	60	66	43.0	-10 ÷ +50	CE; cURus
FPF12KRD48B-110	48 V d.c.		0.160	7.7	60	66	43.0	-10 ÷ +55	CE

data with uncertainty of 15%

All specifications, data and drawing are subject to change without notice and are approximate. Please refer to our terms of sales including our warranty and limited liabilities clauses.