

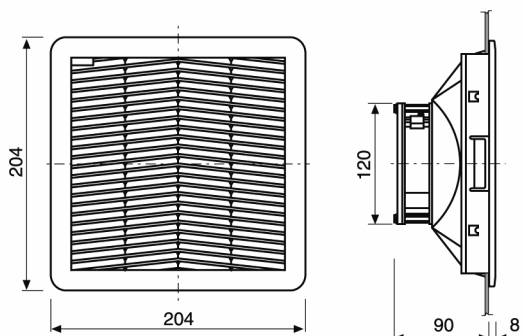
"FPF13KP" SERIES FAN FILTERS

Description: **Fan Filters 115/230 Va.c.**

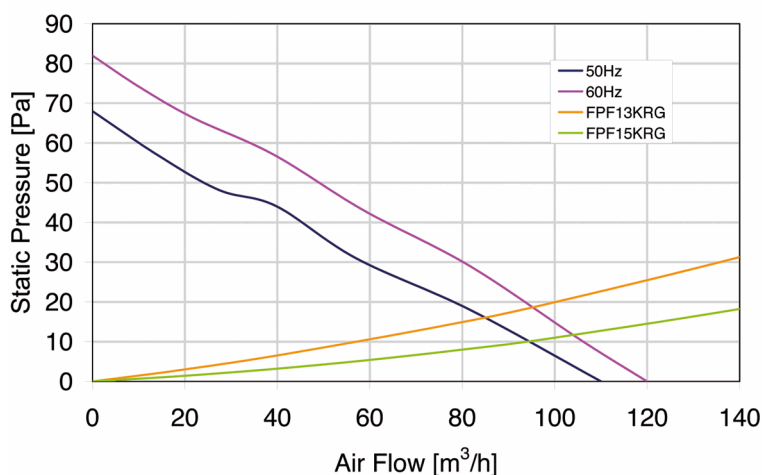
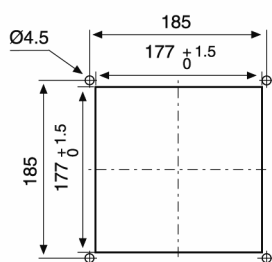


Type of material:	ABS/PC alloy
Standard colour:	RAL 7032 and RAL 7035 - other colors on request
Protection degree:	IP54, according to EN 60529 Std Type 12, according to UL 508 Std
Fixing system:	by elastic hooks, otherwise by four 4.8 mm self-threading screws
Plate thickness:	from 1.5 mm to 2.2 mm
Storage temperature:	from -45°C to +75°C
Lifetime L10 at 40°C:	45,000 h
Motor protection:	impedance
Electrical connection:	by terminal block 3 poles L-N-PE
Earth connection:	(by terminal block, PE pole)
Appliance class:	Class I
Type of filter media:	thermo-linked progressive structure synthetic fibre
Filtering class:	class G3, according to EN 779
Degree of separation:	85% - DIN 24185
Dust retention capacity:	600 g/m ²
Note:	filter media is washable for about 10 times
Weight:	1.0 Kg
Approvals:	CE, UL E223195/UL E237844

technical drawing



mounting cut-out



Model	Voltage	Frequency	Rated Current	Rated Power	Max Air Flow**	Static Pressure	Noise	Rated Temp. Range	Approvals
	(V)	(Hz)	(A)	(W)	(m ³ /h)	(Pa)	[db(A)]	(°C)	
FPF13KPR115BE-110	115 V a.c.	50/60	0.210/0.180	20/18	110/120	68/82	43.0/48.0	-10 ÷ +50	CE; UR
FPF13KPR115BER-110	115 V a.c.	50/60	0.210/0.180	20/18	110/120	68/82	43.0/48.0	-10 ÷ +50	CE; UR
FPF13KPR230BE-110	230 V a.c.	50/60	0.125/0.110	20/19	110/120	68/82	43.0/48.0	-10 ÷ +50	CE; UR
FPF13KPR230BER-110	230 V a.c.	50/60	0.125/0.110	20/19	110/120	68/82	43.0/48.0	-10 ÷ +50	CE; UR

data with uncertainty of 15%

All specifications, data and drawing are subject to change without notice and are approximate. Please refer to our terms of sales including our warranty and limited liabilities clauses.