

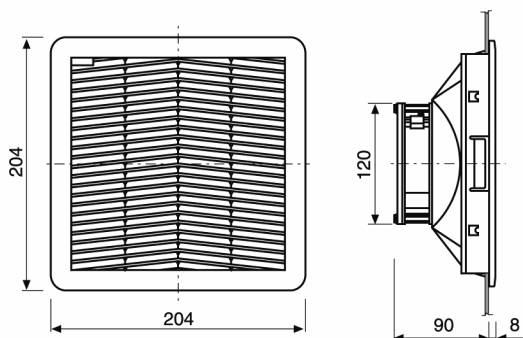
"FPF13KPD" SERIES FAN FILTERS

Description: **Fan Filter 24 Vd.c.**

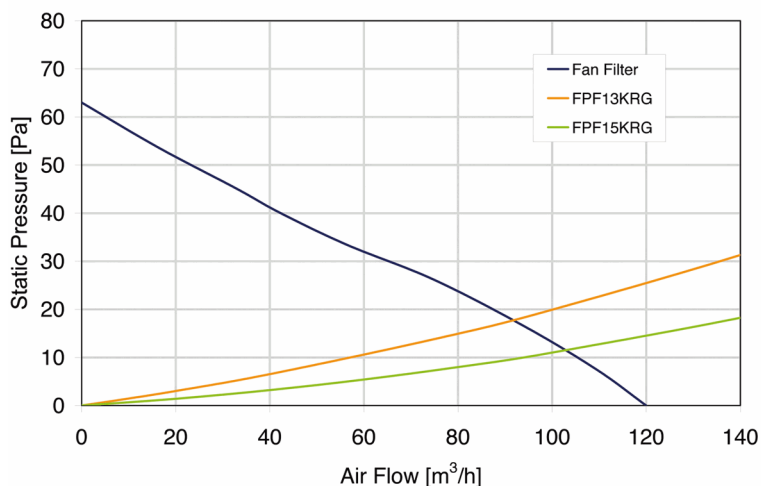
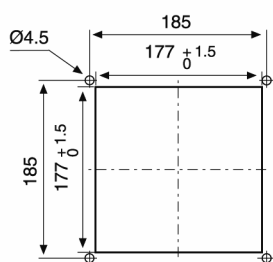


Type of material: ABS/PC alloy
Standard colour: RAL 7032 and RAL 7035 - other colors on request
Protection degree: IP54, according to EN 60529 Std Type 12, according to UL 508 Std
Fixing system: by elastic hooks, otherwise by four 4.8 mm self-threading screws
Plate thickness: from 1.5 mm to 2.2 mm
Storage temperature: from -45°C to +75°C
Lifetime L10 at 40°C: 70,000 h
Motor protection: overcurrent, reverse polarity
Electrical connection: by terminal block 2 poles +, -
Earth connection: (by terminal block, PE pole)
Appliance class: Class I
Type of filter media: thermo-linked progressive structure synthetic fibre
Filtering class: class G3, according to EN 779
Degree of separation: 85% - DIN 24185
Dust retention capacity: 600 g/m²
Note: filter media is washable for about 10 times
Weight: 0.77 Kg
Approvals: CE, UL E223195/UL E237844

technical drawing



mounting cut-out



Model	Voltage	Frequency	Rated Current	Rated Power	Max Air Flow**	Static Pressure	Noise	Rated Temp. Range	Approvals
	(V)	(Hz)	(A)	(W)	(m3/h)	(Pa)	[db(A)]	(°C)	
FPF13KPRD24B-110	24 V d.c.	-	0.400	9.6	120	63	43.0	-10 ÷ +50	CE; cURus
FPF13KPRD24BR-110	24 V d.c.	-	0.400	9.6	120	63	43.0	-10 ÷ +50	CE; cURus

data with uncertainty of 15%

All specifications, data and drawing are subject to change without notice and are approximate. Please refer to our terms of sales including our warranty and limited liabilities clauses.