

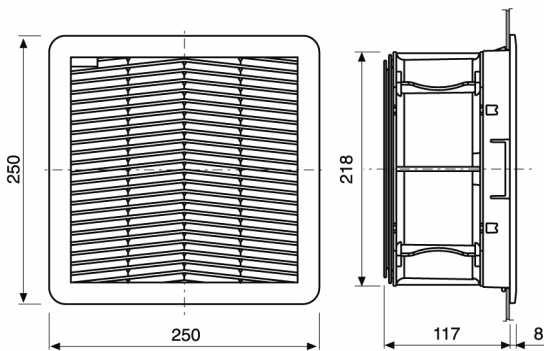
## "FPF15KPD" SERIES FAN FILTERS

Description: **Fan filter 24/48 Vd.c.**

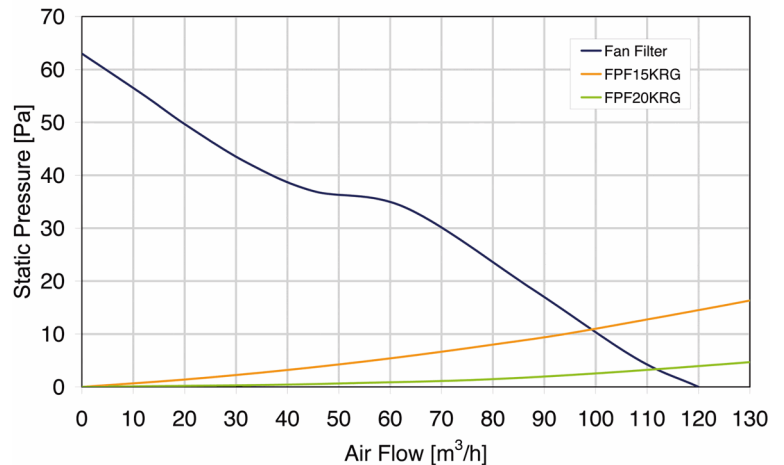
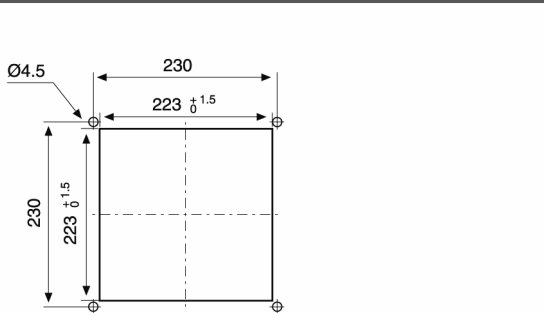


<b>Type of material:</b>	ABS/PC alloy
<b>Standard colour:</b>	RAL 7032 and RAL 7035 - other colors on request
<b>Protection degree:</b>	IP54, according to EN 60529 Std Type 12, according to UL 508 Std
<b>Fixing system:</b>	by elastic hooks, otherwise by four 4.8 mm self-threading screws
<b>Plate thickness:</b>	from 1.5 mm to 2.2 mm
<b>Storage temperature:</b>	from -45°C to +75°C
<b>Lifetime L10 at 40°C:</b>	70,000 h
<b>Motor protection:</b>	overcurrent, reverse polarity
<b>Electrical connection:</b>	by terminal block 2 poles +, -
<b>Appliance class:</b>	Class III
<b>Type of filter media:</b>	thermo-linked progressive structure synthetic fibre
<b>Filtering class:</b>	class G3, according to EN 779
<b>Degree of separation:</b>	85% - DIN 24185
<b>Dust retention capacity:</b>	600 g/m <sup>2</sup>
<b>Note:</b>	filter media is washable for about 10 times
<b>Weight:</b>	1.1 Kg
<b>Approvals:</b>	CE, UL E223195/UL E237844

### technical drawing



### mounting cut-out



Model	Voltage	Frequency	Rated Current	Rated Power	Max Air Flow**	Static Pressure	Noise	Rated Temp. Range	Approvals
	(V)	(Hz)	(A)	(W)	(m3/h)	(Pa)	[db(A)]	(°C)	
FPF15KPRD24B-110	24 V d.c.	-	0.400	9.6	120	63	43.0	-10 ÷ +50	CE; cURus
FPF15KPRD24BR-110	24 V d.c.	-	0.400	9.6	120	63	43.0	-10 ÷ +50	CE; cURus
FPF15KPRD48B-110	48 V d.c.	-	0.160	7.7	120	63	43.0	-10 ÷ +55	CE

data with uncertainty of 15%

All specifications, data and drawing are subject to change without notice and are approximate. Please refer to our terms of sales including our warranty and limited liabilities clauses.