

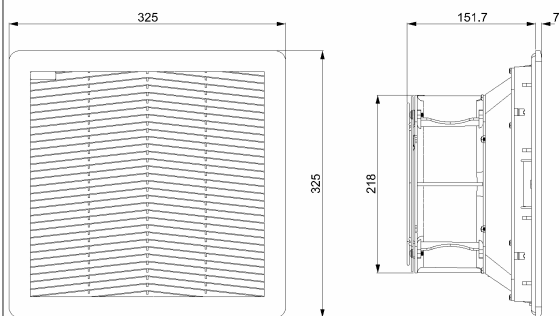
"FPF20K" SERIES FAN FILTERS

Description: Fan filters 115/230/400 Va.c.

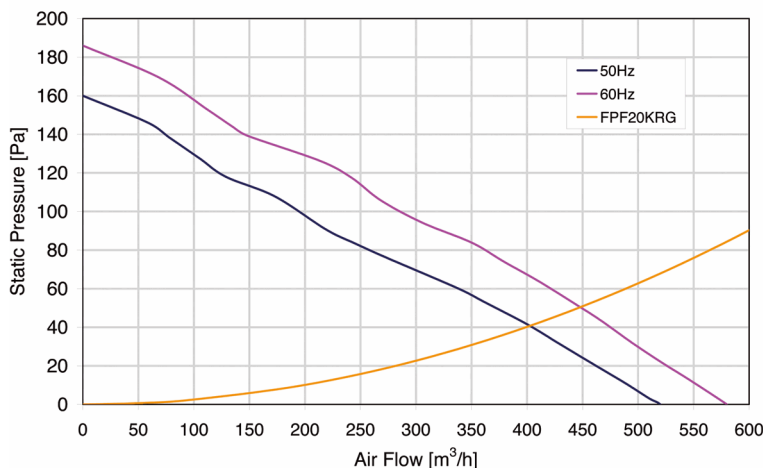
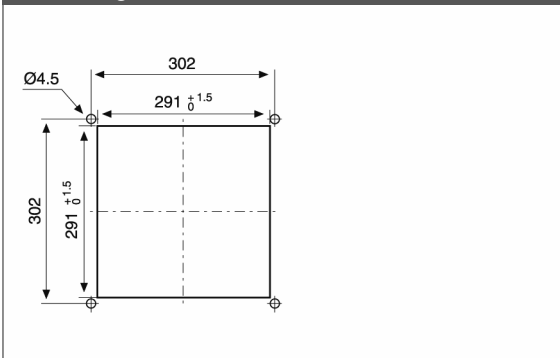


Type of material:	ABS/PC alloy
Standard color:	RAL 7032 and RAL 7035 - other colors on request
Protection degree:	IP54, according to EN 60529 standard
Fixing method:	by elastic hooks, otherwise by four 4.8 mm self-threading screws
Plate thickness:	from 1.5 mm to 2.2 mm
Storage temperature:	from -30°C to +75°C
Lifetime L10 at 40°C:	50,000 h
Motor protection:	thermal
Electrical connection:	by terminal block 3 poles L-N-PE or 4 poles L1-L2-L3-PE
Earth connection:	(by terminal block, PE pole)
Appliance class:	Class I
Type of filter media:	thermo-linked progressive structure synthetic fibre
Filtering class:	class G3, according to EN 779
Degree of separation:	85% - DIN 24185
Dust retention capacity:	600 g/m ²
Note:	filter media is washable for about 10 times
Weight:	3.7 kg
Approvals:	CE

technical drawing



mounting cut-out



All specifications, data and drawing are subject to change without notice and are approximate. Please refer to our terms of sales including our warranty and limited liabilities clauses.

Model	Voltage	Frequency	Rated Current	Rated Power	Max Air Flow**	Static Pressure	Noise	Rated Temp. Range	Approvals
	(V)	(Hz)	(A)	(W)	(m3/h)	(Pa)	[db(A)]	(°C)	
FPF20KR115BE-120	115 V a.c.	50/60	0.54/0.65	50/64	520/580	160/186	60.0/62.0	-10 ÷ +55	CE
FPF20KR115BER-120	115 V a.c.	50/60	0.54/0.65	50/64	520/580	160/186	60.0/62.0	-10 ÷ +55	CE
FPF20KR230BE-120	230 V a.c.	50/60	0.300/0.382	67/87	520/580	160/186	60.0/62.0	-10 ÷ +50	CE
FPF20KR230BER-120	230 V a.c.	50/60	0.300/0.382	67/87	520/580	160/186	60.0/62.0	-10 ÷ +50	CE
FPF20KR400TBE-120	400 3N ~	50/60	0.140/0.130	71/93	520/580	160/186	64.0/68.0	-10 ÷ +55	CE
FPF20KR400TBER-120	400 3N ~	50/60	0.140/0.130	71/93	520/580	160/186	64.0/68.0	-10 ÷ +55	CE

data with uncertainty of 15%