

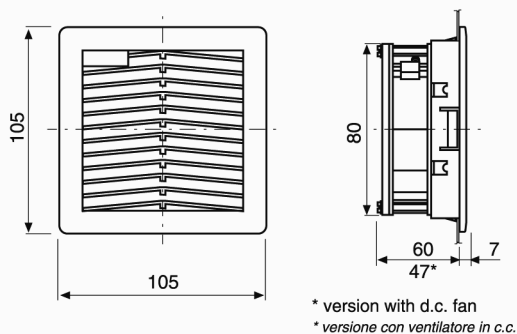
"FPF08K" SERIES FAN FILTERS

Description: Fan Filter 115/230 Va.c.

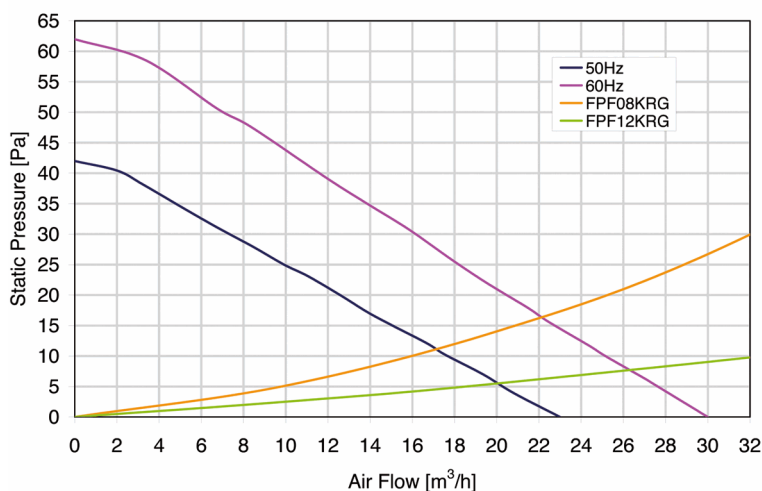
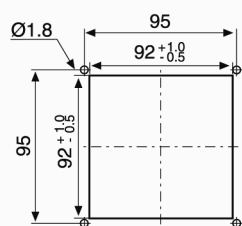


Type of material:	ABS/PC alloy
Standard colour:	RAL 7032 and RAL 7035 - other colors on request.
Protection degree:	IP54, according to EN 60529 Std; Type 12, according to UL 508 Std
Fixing system:	by elastic hooks, otherwise by four 2.2 mm self-threading screws
Plate thickness:	from 1.5 mm to 2.2 mm
Storage temperature:	from -45°C to +70°C
Lifetime L10 at 40°C:	45,000 h
Motor protection:	impedance
Electrical connection:	by 2 wires L-N
Earth connection:	(by M4 thread hole on fan's casing)
Appliance class:	Class I
Type of filter media:	thermo-linked progressive structure
Filtering class:	class G3, according to EN 779
Degree of separation:	85% - DIN 24185
Dust retention capacity:	600 g/m ²
Note:	filter media is washable for about 10 times
Weight:	0.5 Kg
Approvals:	CE, UL E223195/ cURus E237844

technical drawing



mounting cut-out



Model	Voltage (V)	Frequency (Hz)	Rated Current (A)	Rated Power (W)	Max Air Flow** (m ³ /h)	Static Pressure (Pa)	Noise [db(A)]	Rated Temp. Range (°C)	Approvals
FPF08KR115B-110	115 V a.c.	50/60	0.115/0.092	9.0/7.0	23/30	42/62	40.0/44.0	-10 ÷ +50	CE; UR
FPF08KR115BR-110	115 V a.c.	50/60	0.115/0.092	9.0/7.0	23/20	42/62	40.0/44.0	-10 ÷ +50	CE; UR
FPF08KR230B-110	230 V a.c.	50/60	0.07/0.055	10/8.0	23/30	42/62	40.0/44.0	-10 ÷ +50	CE; UR
FPF08KR230BR-110	230 V a.c.	50/60	0.07/0.055	10/8.0	23/30	42/62	40.0/44.0	-10 ÷ +50	CE; UR

data with uncertainty of 15%

All specifications, data and drawing are subject to change without notice and are approximate. Please refer to our terms of sales including our warranty and limited liabilities clauses.