

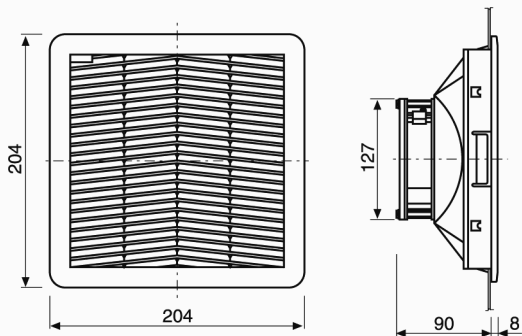
**"FPF13K" SERIES FAN FILTERS**

Description: **Fan Filter 115/230 Va.c.**

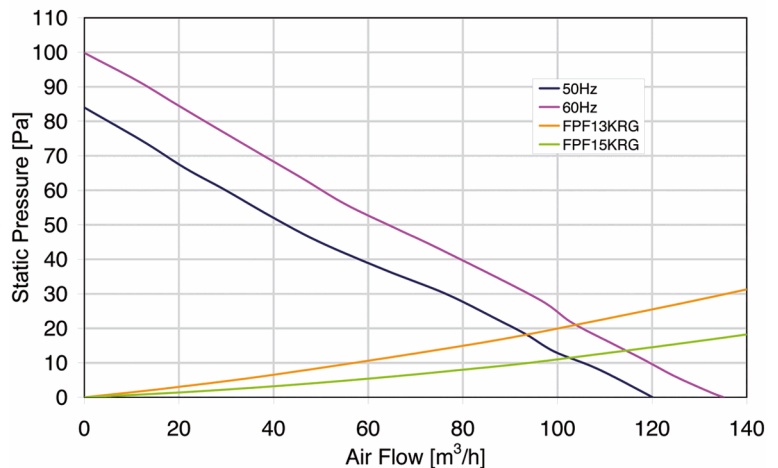
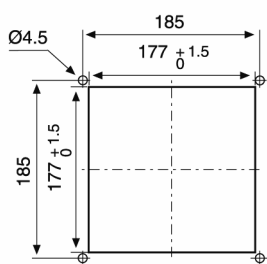


**Type of material:** ABS/PC alloy  
**Standard colour:** RAL 7032 and RAL 7035 - other colors on request  
**Protection degree:** IP54, according to EN 60529 Std Type 12, according to UL 508 Std  
**Fixing system:** by elastic hooks, otherwise by four 4.8 mm self-threading screws  
**Plate thickness:** from 1.5 mm to 2.2 mm  
**Storage temperature:** from -45°C to +75°C  
**Lifetime L10 at 40°C:** 45,000 h  
**Motor protection:** impedance  
**Electrical connection:** by terminal block 3 poles L-N-PE  
**Earth connection:** (by terminal block, PE pole)  
**Appliance class:** Class I  
**Type of filter media:** thermo-linked progressive structure synthetic fibre  
**Filtering class:** class G3, according to EN 779  
**Degree of separation:** 85% - DIN 24185  
**Dust retention capacity:** 600 g/m<sup>2</sup>  
**Note:** filter media is washable for about 10 times  
**Weight:** 1.1 Kg  
**Approvals:** CE, UL E223195/UL E237844

**technical drawing**



**mounting cut-out**



Model	Voltage	Frequency	Rated Current	Rated Power	Max Air Flow**	Static Pressure	Noise	Rated Temp. Range	Approvals
	(V)	(Hz)	(A)	(W)	(m3/h)	(Pa)	[db(A)]	(°C)	
FPF13KR115BE-110	115 V a.c.	50/60	0.200/0.160	17/15	120/135	84/100	46.0/50.0	-10 ÷ +50	CE; UR
FPF13KR115BER-110	115 V a.c.	50/60	0.200/0.160	17/15	120/135	84/100	46.0/50.0	-10 ÷ +50	CE; UR
FPF13KR230BE-110	230 V a.c.	50/60	0.100/0.090	17/15	120/135	84/100	46.0/50.0	-10 ÷ +50	CE; UR
FPF13KR230BER-110	230 V a.c.	50/60	0.100/0.090	17/15	120/135	84/100	46.0/50.0	-10 ÷ +50	CE; UR

data with uncertainty of 15%

All specifications, data and drawing are subject to change without notice and are approximate. Please refer to our terms of sales including our warranty and limited liabilities clauses.